



(armrest 1)

JOY



(armrest 2)

JOY

CUSTOMIZING

1. Choose combination.
2. Choose upholstery.
3. Choose legs.

FRAME CONSTRUCTION

Individually bench-made by Scandinavian craftsmen.
 Seat Frame constructed of select SOLID SPRUCE with finger joints and no-zag springs (at least four per seat).
 Back parts constructed with Mortise & Tenon design for extraordinary durability.
 Exterior sides and back fully padded.

LEG COLOR OPTIONS



COMFORT

Soft

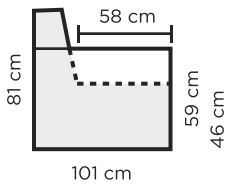
LEGS

Standard leg: 227/15 metal
 Optional leg: 128/15 (extra price)

UPHOLSTERY

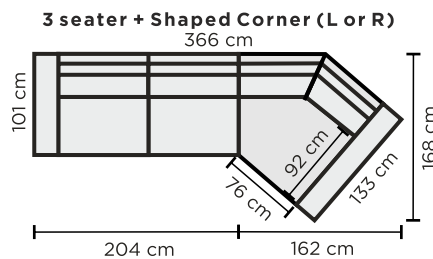
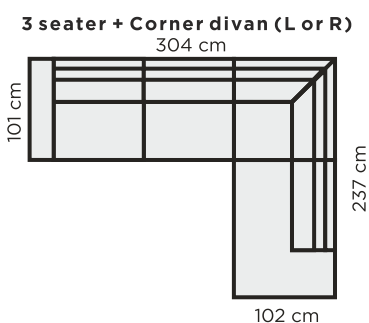
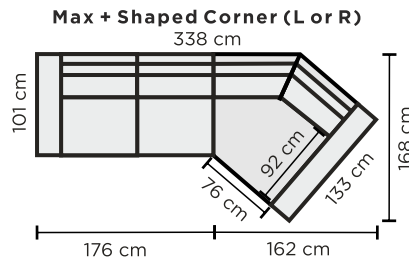
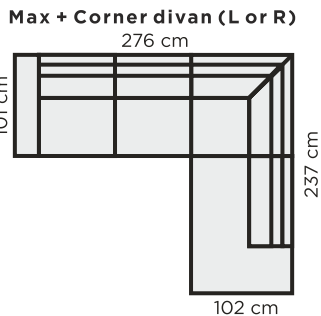
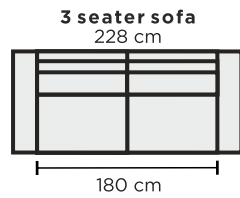
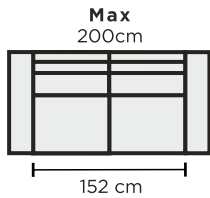
Leather, fabric
 Comination

MEASURES



All examples below include armrest 1 (width: 24 cm)

SOFAS:



A76-, A90-, C- and D2- parts always require a armrest on other side

MODUL PARTS:

